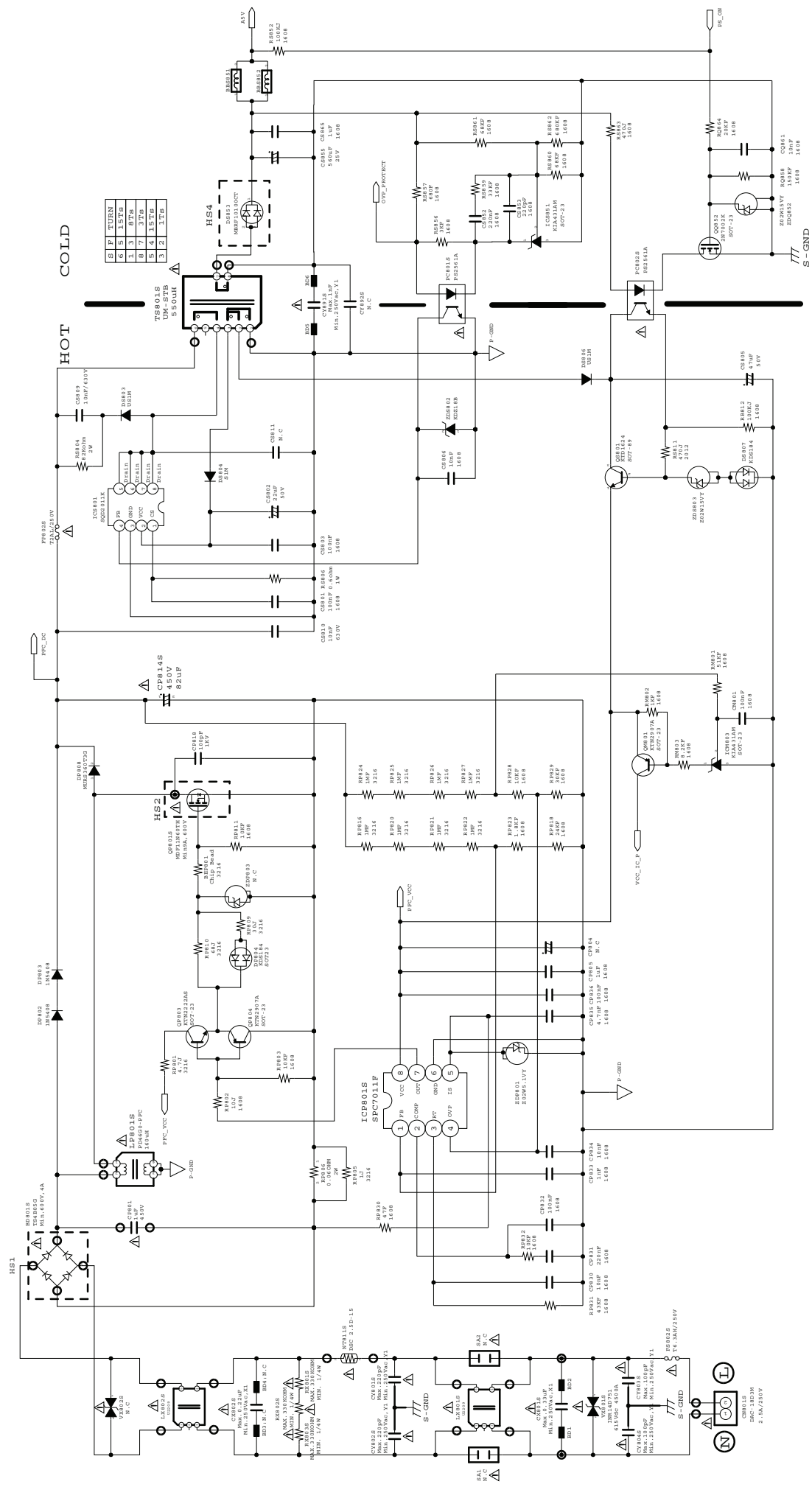




SPECIFICATION
PD46G0_BSM
(CIRCUIT DRAWING)

STD RECORD NO. BN44-00473A
PAGE PUB. DATE 2011.03.11
PAGE REV. DATE

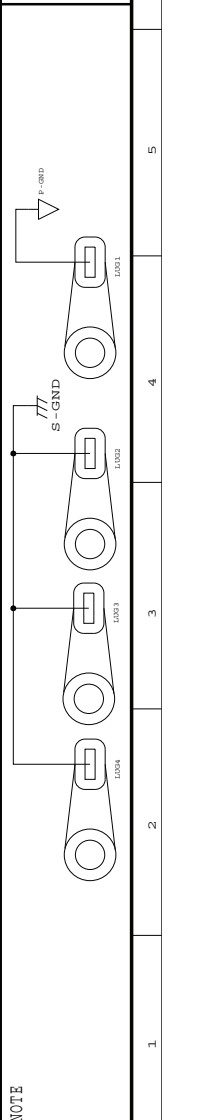
4. CIRCUIT DRAWING



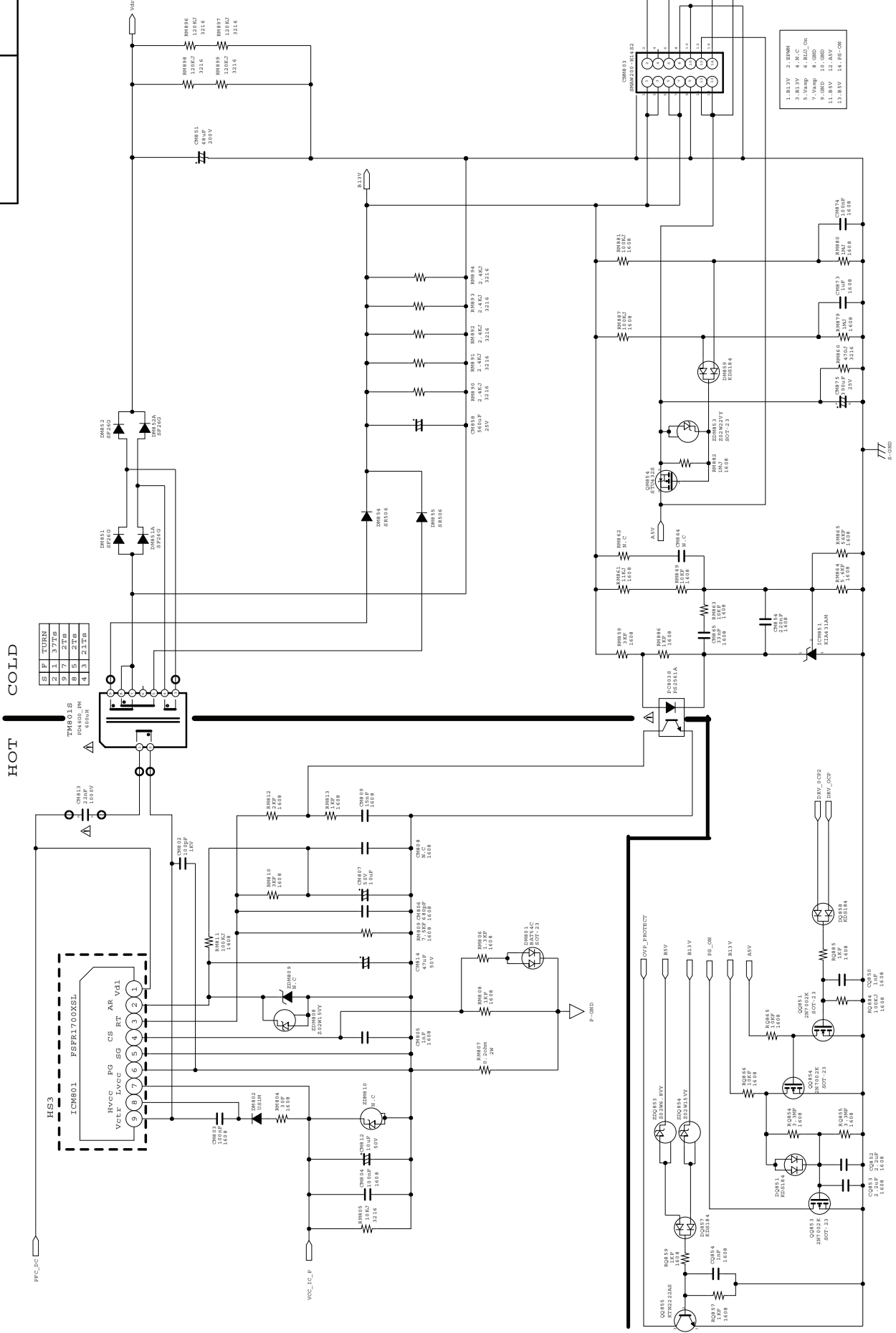
DATE 11.04.27
 DRAWN Y. M. Jung
 CHECKED R. B
 APPROVED H. G. Choi

SCALE	REVISION	COMMENTS

MODEL NAME PD460_BSM
 FEM NUMBER PS1P121A03S
 BNA4-00473A



NOTE

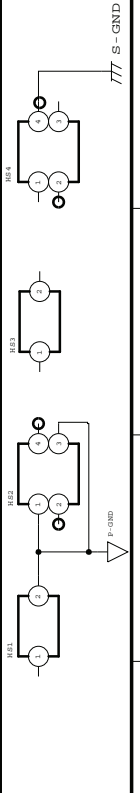
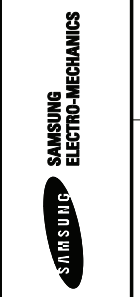


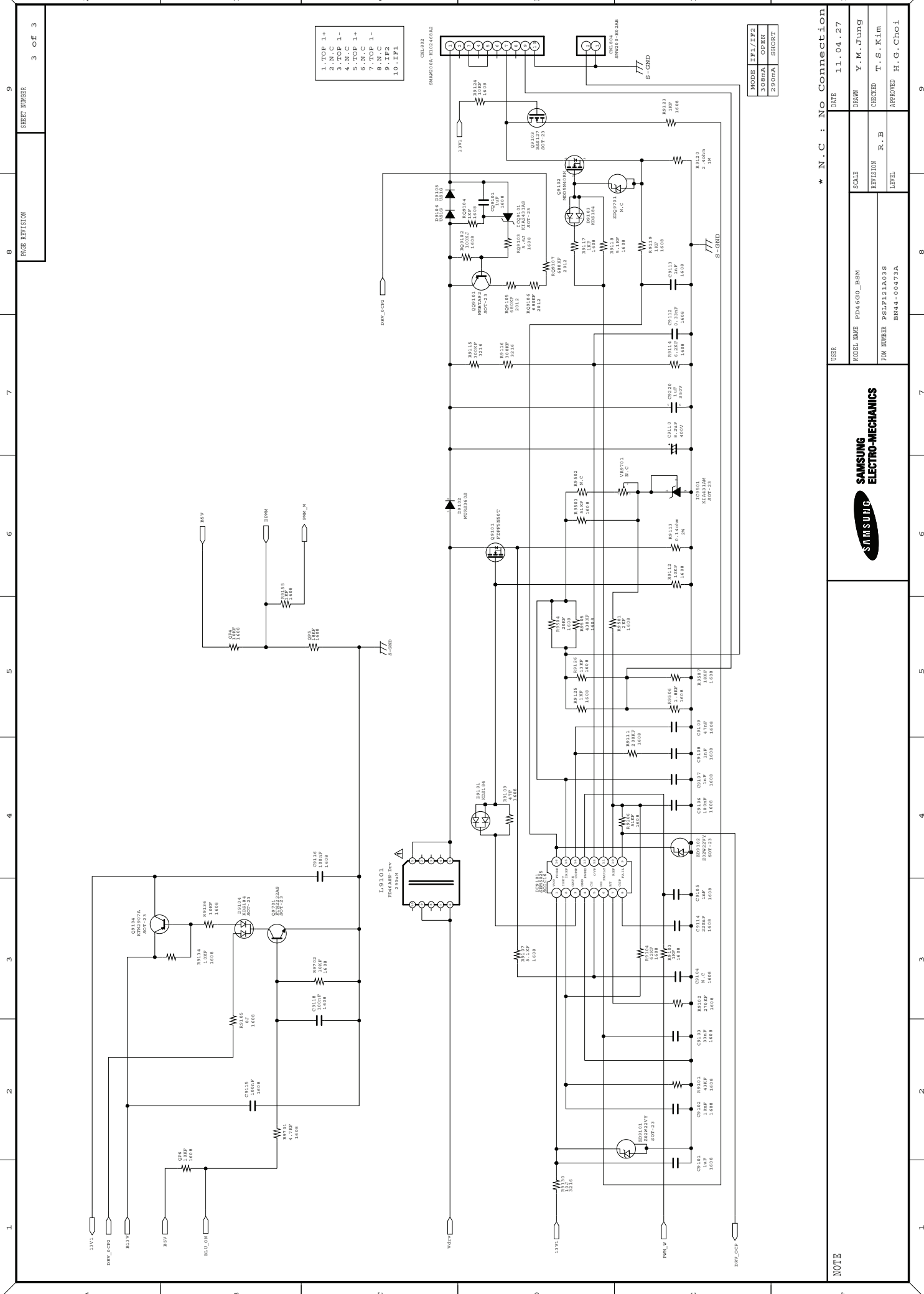
- 1. B13V 2.180M
- 2. 100K 1.000
- 3. 100K 1.000
- 4. 100K 1.000
- 5. 100K 1.000
- 6. 100K 1.000
- 7. 100K 1.000
- 8. 100K 1.000
- 9. 100K 1.000
- 10. 100K 1.000
- 11. 100K 1.000
- 12. 100K 1.000
- 13. 100K 1.000
- 14. 100K 1.000
- 15. 100K 1.000
- 16. 100K 1.000
- 17. 100K 1.000
- 18. 100K 1.000
- 19. 100K 1.000
- 20. 100K 1.000

* N.C : No Connection

DATE	11.04.27
DRAWN	Y. M. Jung
CHECKED	R. B
APPROVED	H. G. Choi

USER	MODEL NAME	PD4600_BSM
SCALE	REVISION	
PIN NUMBER	PSLFI21A03S	BN44-00473A





- 1. TOP 1+
- 2. N.C
- 3. TOP 1-
- 4. N.C
- 5. TOP 1+
- 6. N.C
- 7. TOP 1-
- 8. N.C
- 9. IF2
- 10. IF1

MODE	IF1/IF2
300mA	OPEN
250mA	SHORT

PROCESS REVISION

3 OF 3

NOTE	* N.C : No Connection	
	DATE	11.04.27
DRAWN	MODEL NAME	PD460_BSM
	SCALE	
	REVISION	R. B
CHECKED	PIN NUMBER	PS1P121A03S
	LEVEL	BN44-00473A
APPROVED	SAMSUNG ELECTRO-MECHANICS	
USER		



SPECIFICATION
PD46G0_BSM
(BLOCK DIAGRAM PART)

STD RECORD NO.
PAGE PUB. DATE
PAGE REV. DATE
BN44-00473A
2011.03.11

5. BLOCK DIAGRAM PART

